

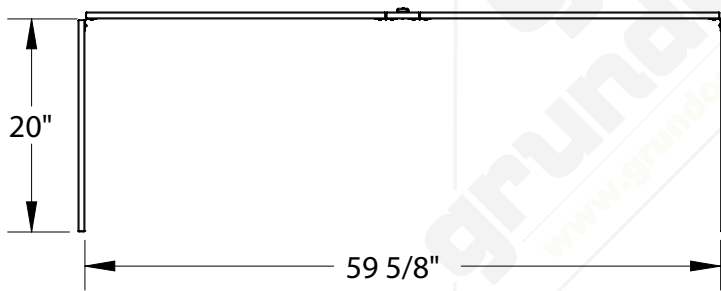
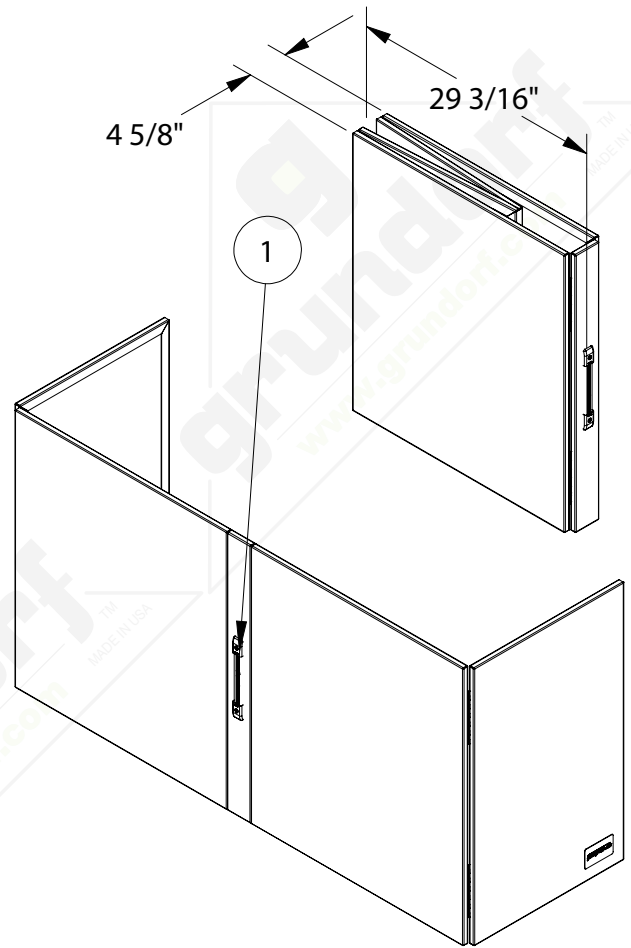
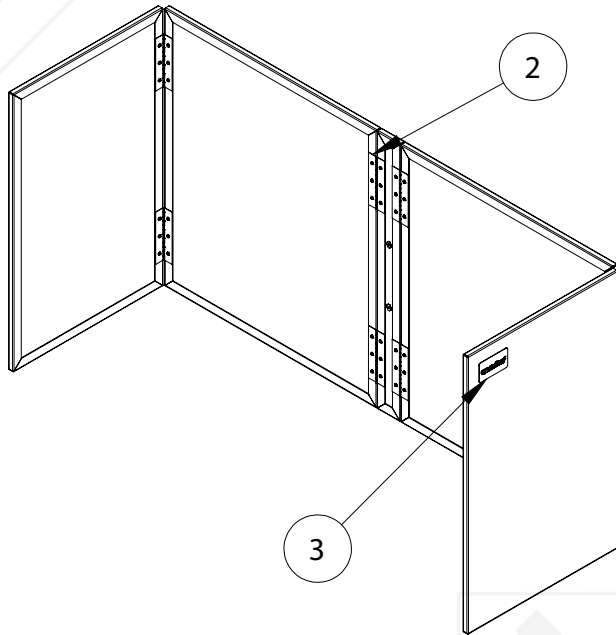
ML-F3260

Facade - Bi-Folding Open H 32" W 60" Closed W 30"

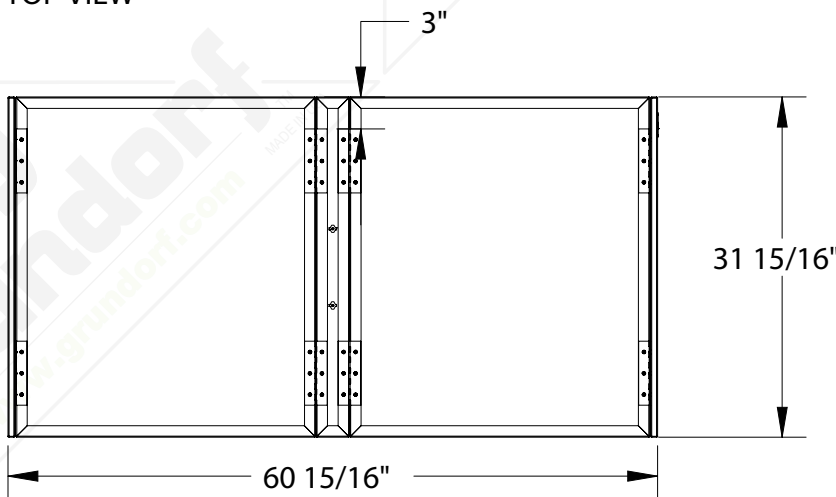
grundorf
corp™

www.grundorf.com • (712)-322-3900

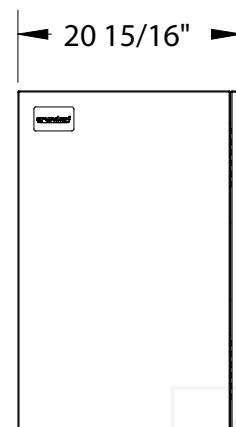
#	Qty	PART NUMBER	DESCRIPTION
1	1	31-016	HANDLE - STRAP, BLACK, BLACK E
2	8	33-006	HINGE - PIANO, 6"
3	1	83-009	BADGE - MIGHTY LIGHT
4	1	81-067	BOX - FACADE 6348T



TOP VIEW



BACK VIEW



SIDE VIEW